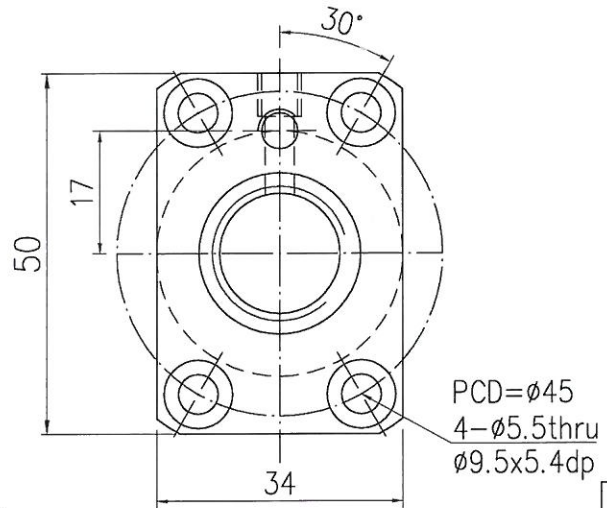
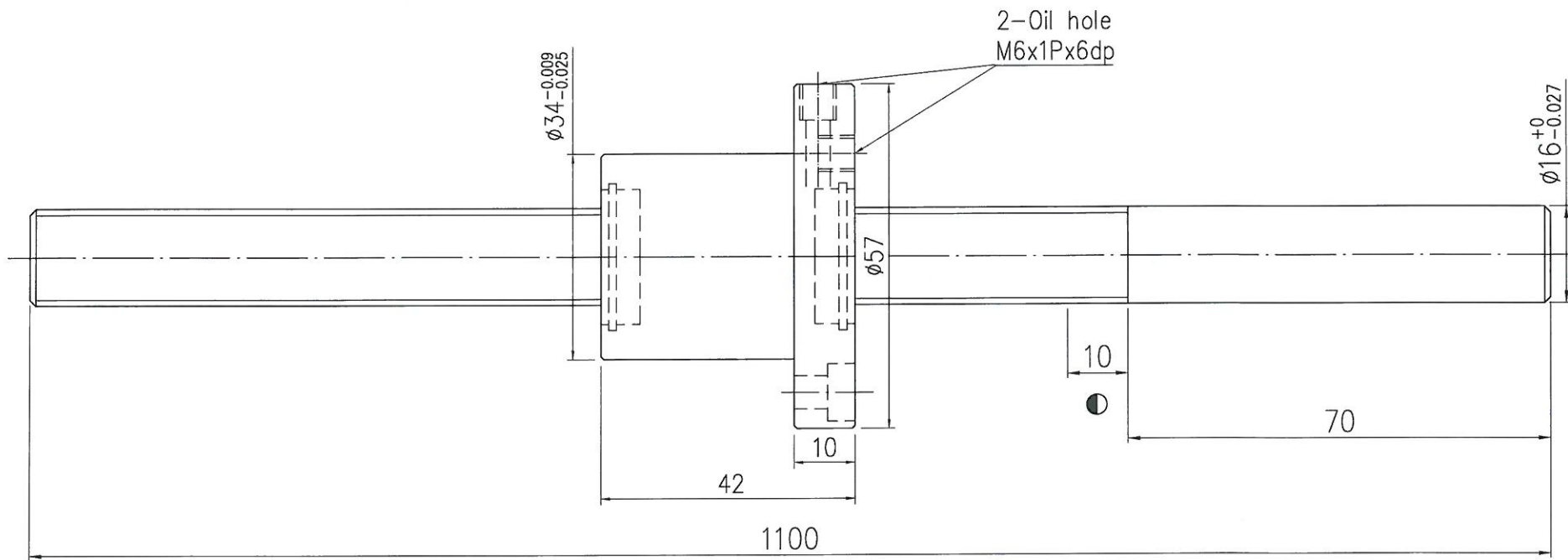


▽ (▽▽) ^G



BASIC RATED DYNAMIC LOAD (kgf)	1049
BASIC RATED STATIC LOAD(kgf)	1144
THREAD DIR. / NO. OF START THD	RIGHT/ 1
BCD (mm)	φ16.545
LEAD (mm)	5
BALL DIA.(mm)	φ3.175
ROOT DIA.	φ19.72
EFFECTIVE TURNS (CIRCUITxROW)	1X3
LEAD ANGLE	5.5°

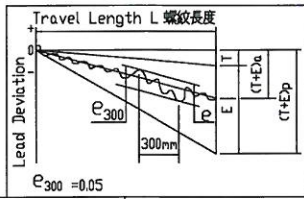
Ball Nut Dwg NO PFAR1605T3DV00

TOLERANCES FOR REGULAR DIMENSIONS (MM)				SURFACE ROUGHNESS Ra(μm)
RANGE	TOLERANCE	RANGE	TOLERANCE	
0.5-6	±0.1	401-1000	±0.8	▽ FINE FINISH 6.3a
7-30	±0.2	1001-2000	±1.2	
31-120	±0.3	2001-4000	±2.0	G GRIND FINISH 1.6a
121-400	±0.5	4001 OVER	±3.0	

CUSTOMER: POWER

SPEC=R16-05T3-1-PFAD-1030-1100-0.05-W-P1

(註: 未標之倒角皆為C0.5) NOT EFFECTIVE HARDENED AREA (不在有效熱處理範圍內)
 Note: Chamferings are C0.5 if not specified otherwise



AXIAL PLAY		
DRAG	CENTER	0
TORQUE	RANGE	0
(kgf-cm)	SPRING FORCE (kgf)	0
THREAD PROFILE		
GOTHIC		

Accessory	QTY	Accessory	QTY
循環器	3		
刮刷器	2		
六角彈簧	2		

DRAW	張家豪
CHECK	翁豐藝
APPROVE	邱火田
DATE	102-06-13

GTEN
 GTEN BALL SCREW TECHNOLOGY

DWG NO. 13A2406
 CUSTOMER'S DWG. NO. ISSOKU

SCALE 1: X

MATERIAL	SCREW	Rolled S55C_Ground 50CrMo4
材質	NUT	SCM415H
HARDNESS	SCREW	滾珠牙部 HRC58'-62'
熱處理	NUT	滾珠牙部 HRC58'-62'