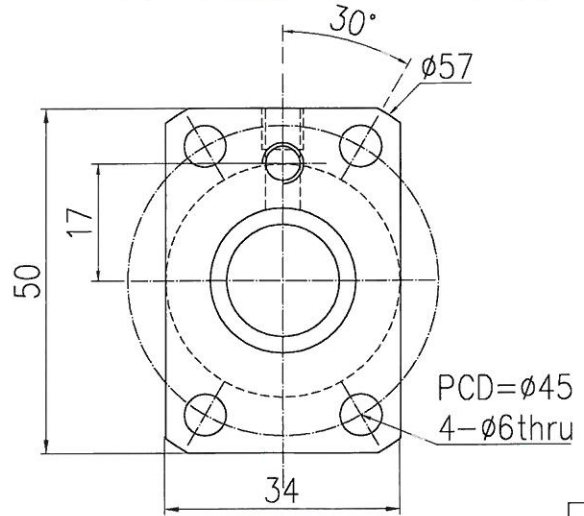
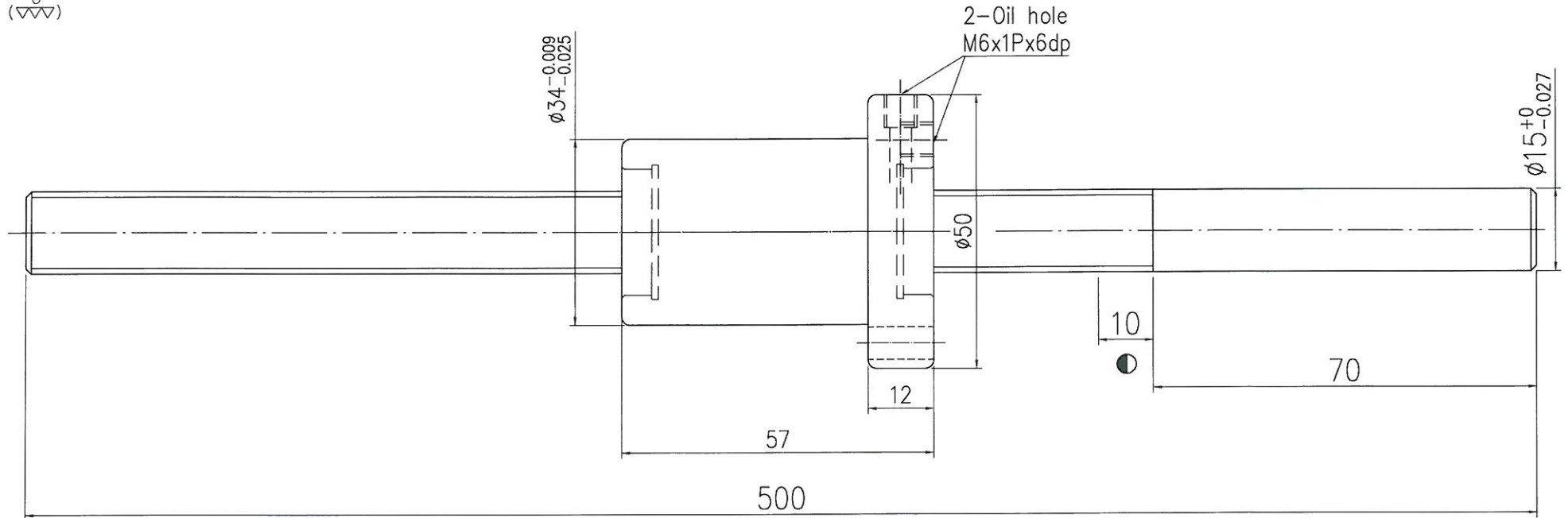


▽ (▽▽) 6



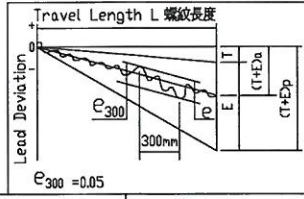
DYNAMIC LOAD (kgf)	833
BASIC RATED STATIC LOAD(kgf)	997
THREAD DIR. /NO. OF START THD	RIGHT/1
BCD (mm)	φ15.575
LEAD (mm)	20
BALL DIA.(mm)	φ3.175
ROOT DIA.	φ18.75
EFFECTIVE TURNS (CIRCUITxROW)	1X2
LEAD ANGLE	22.24°

Ball Nut Dwg NO		PFAR1520T2DV00	
TOLERANCES FOR REGULAR DIMENSIONS (MM)			
RANGE	TOLERANCE	RANGE	TOLERANCE
0.5-6	±0.1	401-1000	±0.8
7-30	±0.2	1001-2000	±1.2
31-120	±0.3	2001-4000	±2.0
121-400	±0.5	4001 OVER	±3.0
		SURFACE ROUGHNESS Ra(μm)	
		▽ FINE FINISH 6.3a	
		▽ GRIND FINISH 1.6a	

CUSTOMER: POWER

SPEC=R15-20T2-1-PFAD-430-500-0.05-W-P1

(註: 未標之倒角皆為C0.5) ● NOT EFFECTIVE HARDENED AREA (不在有效熱處理範圍內)
 Note: Chamferings are C0.5 if not specified otherwise



Accessory	QTY	Accessory	QTY
循環器	2	C扣	2
刮刷器	2	止付螺絲	4

DRAW	張家豪
CHECK	翁豐藝
APPROVE	許光田
DATE	102-06-13

GTEN
 GTEN BALL SCREW TECHNOLOGY

DWG NO.	CUSTOMER'S DWG. NO.	SCALE	1: X
13A2413	ISSOKU		

MATERIAL 材質	SCREW NUT	Rolled S55C_Ground 50CrMo4
HARDNESS 熱處理	SCREW NUT	滾珠牙部 HRC58'-62' 滾珠熱處理 HRC58'-62'