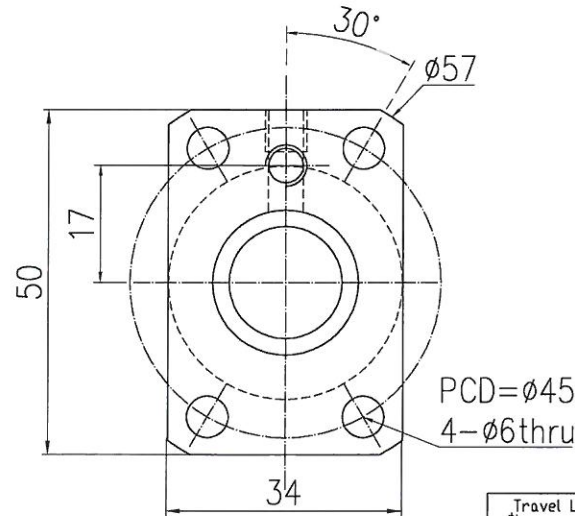
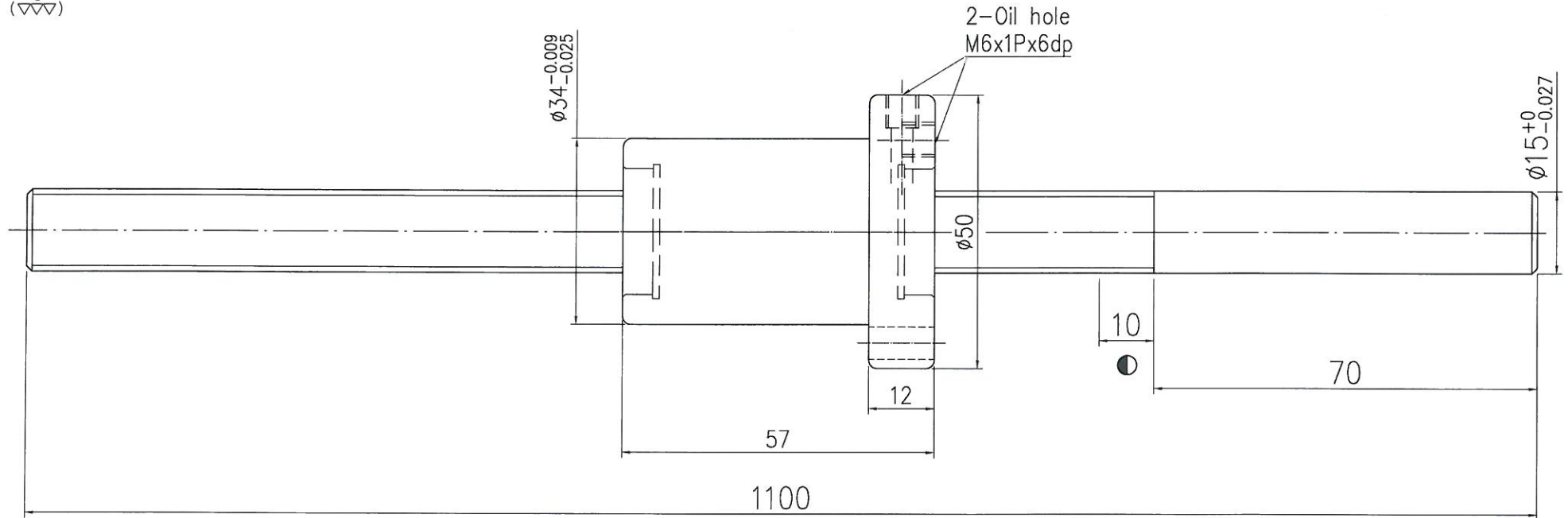


▽ (▽▽) ^G



DYNAMIC LOAD (kgf)	833
BASIC RATED STATIC LOAD(kgf)	997
THREAD DIR. /NO. OF START THD	RIGHT/1
BCD (mm)	φ15.575
LEAD (mm)	20
BALL DIA.(mm)	φ3.175
ROOT DIA.	φ18.75
EFFECTIVE TURNS (CIRCUITxROW)	1X2
LEAD ANGLE	22.24°

Ball Nut Dwg NO PFAR1520T2DV00

TOLERANCES FOR REGULAR DIMENSIONS (MM)				SURFACE ROUGHNESS Ra(μm)
RANGE	TOLERANCE	RANGE	TOLERANCE	
0.5-6	±0.1	401-1000	±0.8	▽ FINE FINISH 6.3a
7-30	±0.2	1001-2000	±1.2	
31-120	±0.3	2001-4000	±2.0	G GRIND FINISH 1.6a
121-400	±0.5	4001 OVER	±3.0	

CUSTOMER: POWER

SPEC=R15-20T2-1-PFAD-1030-1100-0.05-W-P1

(註: 未標之側角皆為C0.5) ● NOT EFFECTIVE HARDENED AREA (不在有效熱處理範圍內)

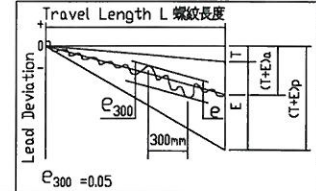
Accessory	QTY	Accessory	QTY
循環器	2	C扣	2
刮刷器	2	止付螺絲	4

DRAW	張家豪
CHECK	翁聖
APPROVE	張家豪
DATE	102-06-13

GTEN
GTEN BALL SCREW TECHNOLOGY

DWG NO. 13A2416
CUSTOMER'S DWG. NO. ISSOKU

SCALE 1: X



AXIAL PLAY		
DRAG	CENTER	0
TORQUE	RANGE	0
(kgf-cm)	SPRING FORCE (kgf)	0
THREAD PROFILE GOTHC		
MATERIAL	SCREW	Rolled S55C_Ground 50CrMo4
材質	NUT	SCM415H
HARDNESS	SCREW	滾珠牙部 HRC58°-62°
熱處理	NUT	滾珠牙部 HRC58°-62°